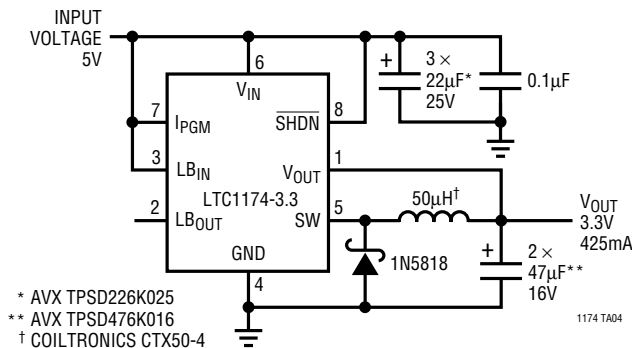


DESIGN NOTES

5V to 3.3V Circuit Collection – Design Note 91

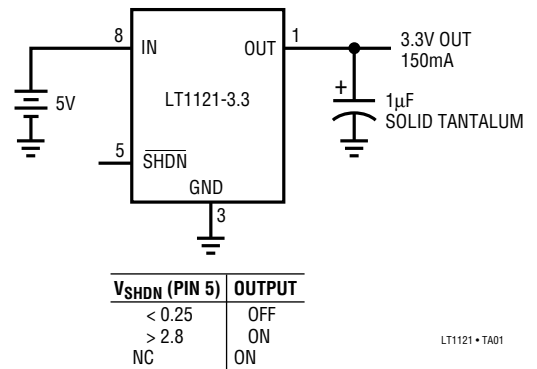
Richard Markell and Craig Varga

High Efficiency 3.3V Regulator



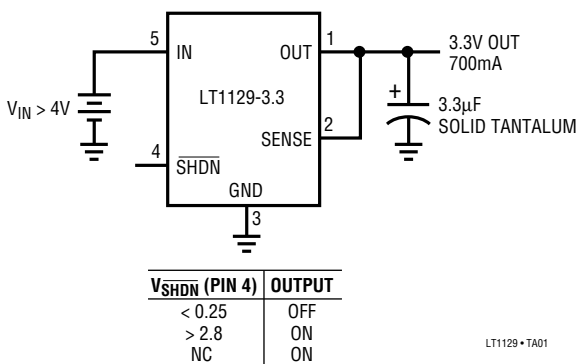
The LTC[®]1174-3.3 current mode DC/DC converter provides efficiencies better than 90% over a wide load current range while requiring only 1µA in Shutdown.

3.3V Battery-Powered Supply with Shutdown



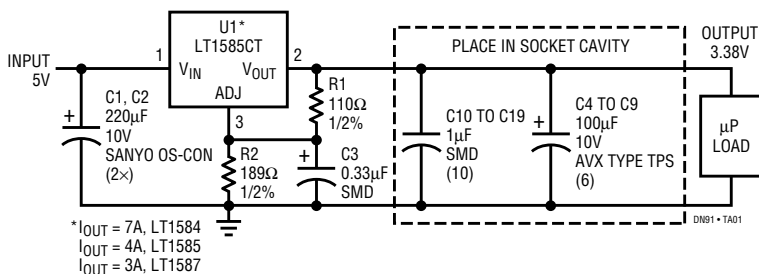
The LT1121-3.3 low dropout linear regulator provides up to 150mA output current with 30µA quiescent current.

3.3V Supply with Shutdown



The LT1129-3.3 low dropout linear regulator provides more output current (to 700mA) with only a slight increase in quiescent current (50µA).

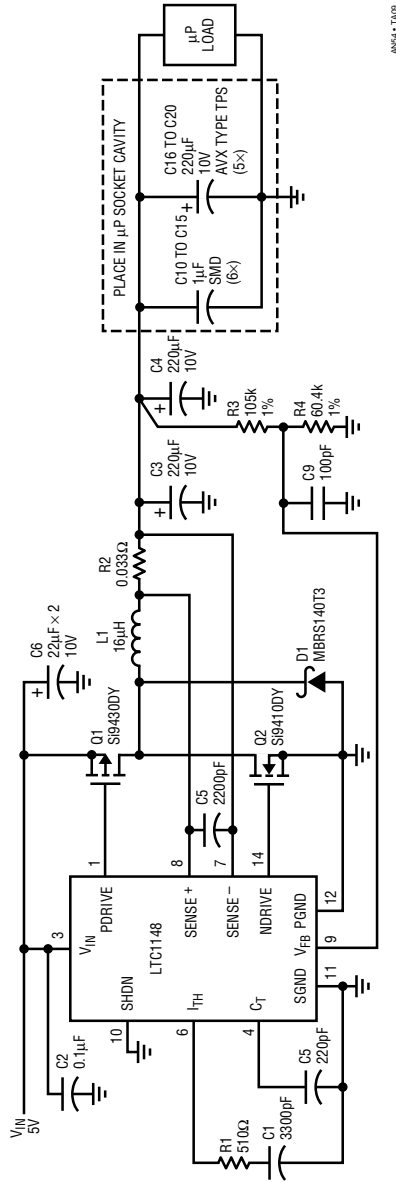
LT1585 Linear Regulator Optimized for Desktop Pentium™ Processor Applications



Linear regulator circuits provide simple solutions with superior transient performance for desktop resident Pentium processor-based systems

Pentium is a trademark of Intel Corporation

LTC1148 5V to 3.38V Pentium Power Solution 3.5A Output Current

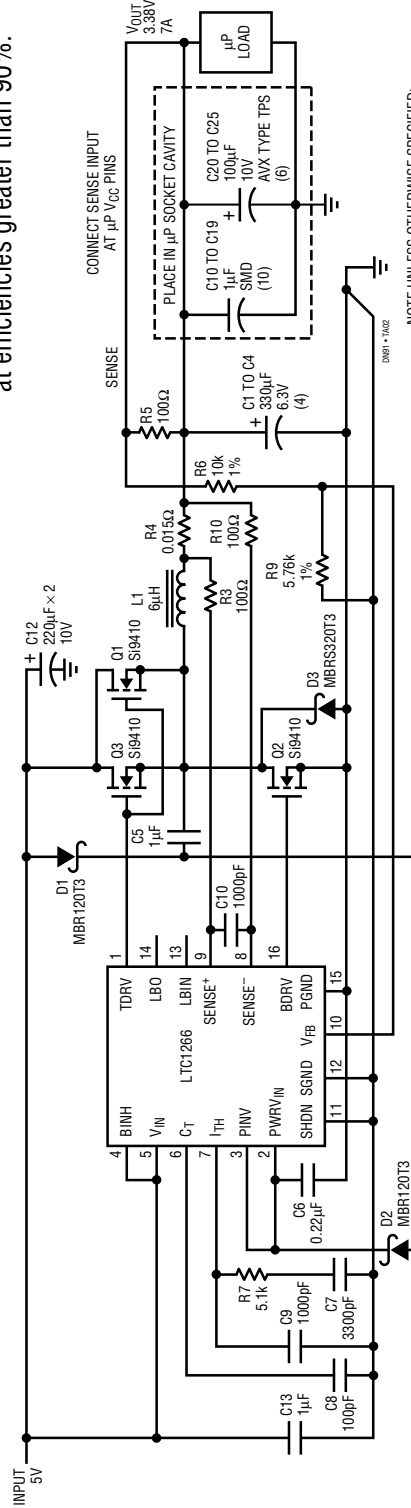


This circuit achieves >90% efficiency using an LTC1148 synchronous switching regulator which consumes a mere 180µA quiescent current.

AN64-T100B

LTC1266 Switching Regulator Converts 5V to 3.38V at 7A for Pentium and Other High Speed µPs

The LTC1266 drives N-channel MOSFETS directly and provides 7A output current at efficiencies greater than 90%.



NOTE UNLESS OTHERWISE SPECIFIED:
ALL RESISTORS OHMS 5%, 1/8W, CHIP 1206
ALL CAPACITORS CERAMIC, 10%, CHIP 1206
ALL POLARIZED CAPACITORS TANTALUM, 20% SMT,
LOW ESR, AVX TPS-SERIES

For literature on our Linear Regulators, call **1-800-4-LINEAR**. For applications help, call (408) 432-1900, Ext. 361